

AC Cam switch 20A. Changeover With Center-OFF

Panel mounting. 4 or 2 screws fixing.

Part number T-0002000402E1N1



Representative picture

Technical information

According to IEC 60947-3

Rated thermal current (I _{th})	25 A
Rated insulation voltage (U _i)	500 V
Rated impulse withstand voltage (U _{imp})	6 kV

AC rated operational current

415 V	AC21A	25 A
415 V	AC22A	25 A
415 V	AC23A	25 A

Rated conditional short-circuit current	10 kA
Rated maximum current (g _L -g _G)	25 A
Rated breaking capacity (400V; cos φ=0,45)	100 A
Rated short-time withstand current (1 sec)	400 A
Mechanical durability (according to the standards, for other values please consult)	10000
Rigid copper conductor	2x4 mm ²
Flexible copper conductor	2x2.5 mm ²

According to UL 60947-4-1 - CAN / CSA C22.2 N° 14

General rating (I _{th})	20 A
Rated voltage	300 Vac
AC rated operational power	3X240V 5 HP

Standards

UL60497-4-1
CSA-C22.2 No.4
Guide NLRV
File E123623
IEC 60947-3



Quality Telergon SAU

ISO 9001 & 14001

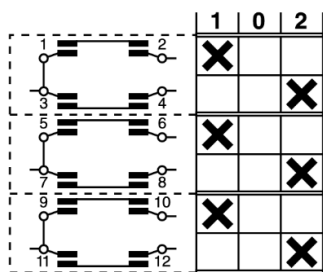


Management System
ISO 9001:2015
ISO 14001:2015
www.tuv.com
ID 9105063481

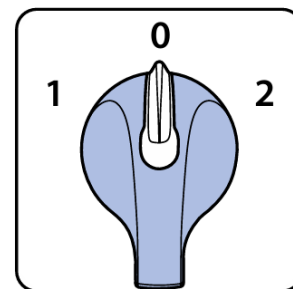
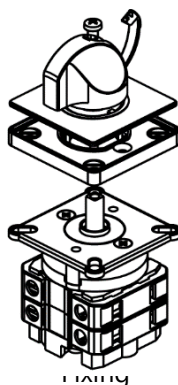
Normal service conditions:

Ambient air temperature (°C): -5°...+40°.
Maximum altitude: 2.000 m. Maximum humidity: 90%.
Pollution degree: 3 (standard for industrial applications).
Rated frequency at AC utilization categories: 50/60 Hz.
Rated duties at utilization categories AC21A, AC22A and AC23A: Continuing (8 hours); uninterrupted.

Diagram, connection & positions



Scheme



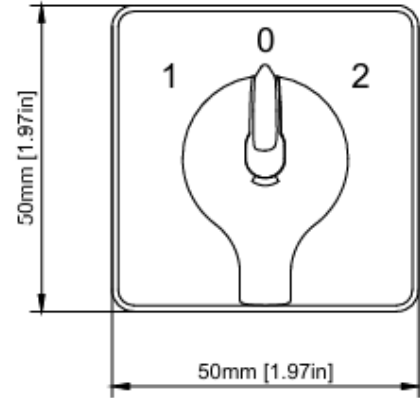
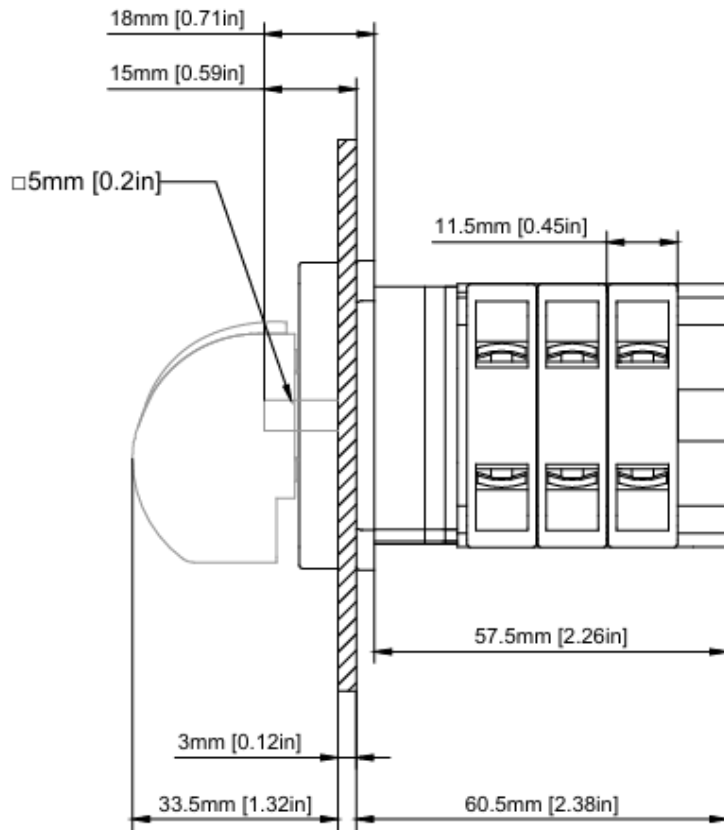
Positions

You can find detailed information about our products at www.telergon.com

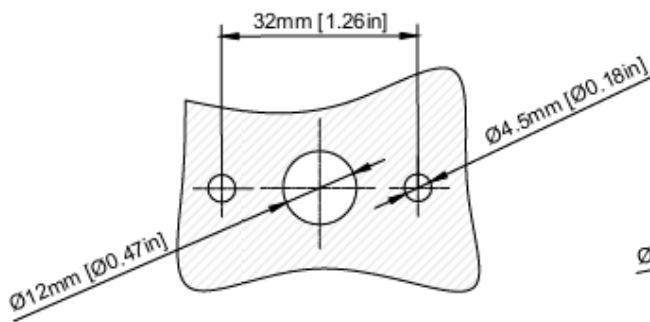


Cam switch
T-0002000402E1N1

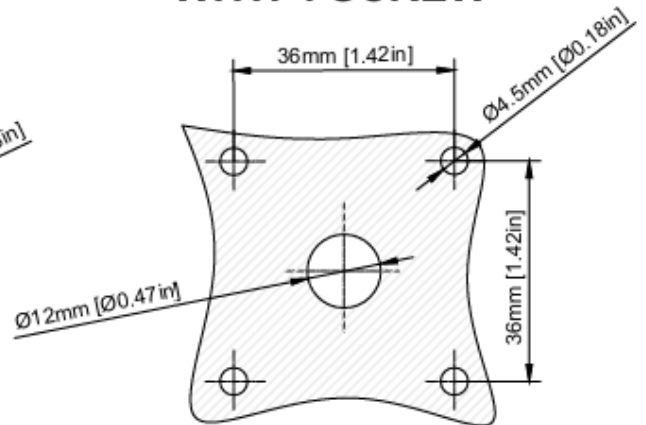
TELERGON, SAU
Data subject to change without notice (printed: 12/12/2025)



FRONTAL FIXING WITH 2 SCREW



FRONTAL FIXING WITH 4 SCREW



You can find detailed information about our products at www.telergon.com



Cam switch
T-0002000402E1N1

TELERGON, SAU
Data subject to change without
notice (printed: 12/12/2025)